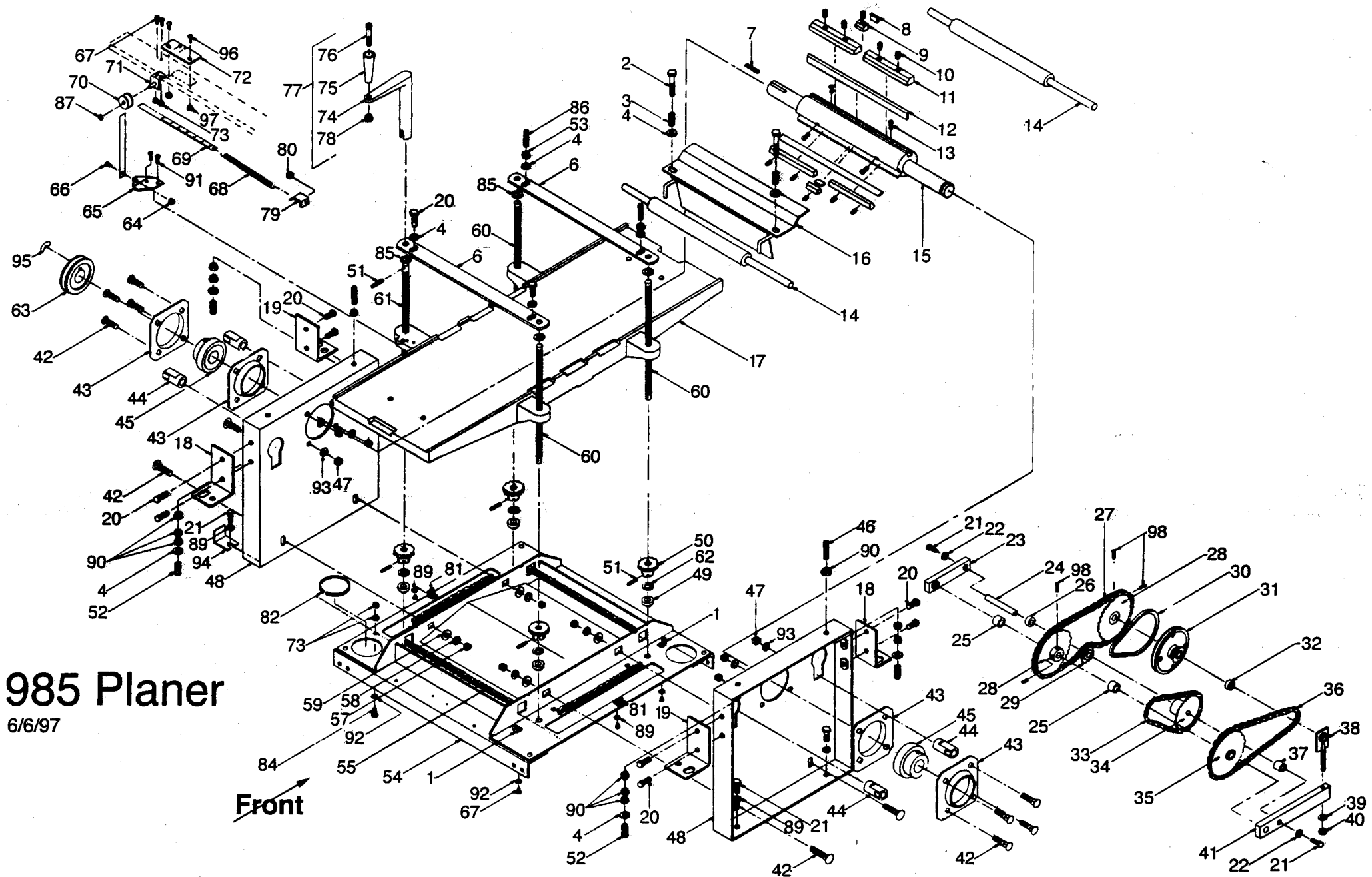


# 985 Planer

6/6/97



DIA. NO.	PART NO.	PART NAME
1	3709416	90° Weldnut
2	A375601	Hex Machine Screw 3/8-16 NC x 3 1/2" Long
3	3709248	Spring
4	R000527	Plain Washer 3/8 SAE
5		
6	4509392	Top Support Bar
7	R000825	Square Key 1/4 Sq. x 1 1/2" Long
8	4509169	Spacer
9	4509069	Gib 1"
10	C371061	Socket Set Screw 3/8-24 NF x 5/8"
11	4509070	Gib 5 3/4"
12	4501958	Planer Knives
13	B251223	Flat Head Socket Screw 1/4-28 NF x 3/4" Long
14	4509062	Feed Roll
15	4509053	Cutterhead
16	4509523	Chipbreaker
17	4509400	Bed
18	4509555	Right Bracket
19	4509556	Left Bracket
20	B371201	Hex Cap Screw 3/8-16 NC x 3/4" Long
21	B251001	Hex Cap Screw 1/4-20 NC x 5/8" Long
22	R000469	Lockwasher 1/4 Split
23	4509513	Inner Link Bearing Assembly
24	4509415	Shaft Link
25	4509410	Spacer
26	4509414	Spacer
27	4509418	Roller Chain (91 Pitches includes Connector)
28	4509034	Sprocket
29	4509527	Small Sprocket Assembly
30	4509027	V-Belt
31	4509428	Pulley Assembly
32	4509409	Spacer
33	4509420	Roller Chain (48 Pitches includes Connector)
34	4509525	Sprocket Hub Assembly
35	4509524	Plate Sprocket Assembly
36	4509419	Roller Chain (74 Pitches includes Connector)
37	4509411	Spacer
38	4509532	Link Adjusting Assembly
39	R000524	Plain Washer 1/4 SAE
40	R000380	Hex Nut Nylok 1/4-20 NC
41	4509529	Outer Link Bearing Assembly
42	E402400	Carriage Bolt 1/2-13 NC x 1 1/2" Long
43	4509405	Bearing Plate
44	4509417	Bearing Feed Roll
45	4509071	Ball Bearing with Eccentric Lock
46	C374820	Socket Set Screw 3/8-16 NC x 3" Long
47	J502000	Hex Jam Nut 1/2-13 NC
48	4509522	Side Frame
49	4509246	Base Spacer
50	4549033	Corner Sprocket

DIA. NO.	PART NO.	PART NAME
51	R000872	Rollpin 1/4 Dia. x 1-1/8" Long
52	4509067	Feed Roll Tension Spring
53	J372000	Hex Jam Nut 3/8-16 NC
54	4509530	Base
55	4509045	#42 Roller Chain
56		
57	J501000	Hex Nut 1/2-13 NC
58	R000473	Lockwasher 1/2 Split
59	R000529	Plain Washer 1/2 SAE
60	4509051	Corner Screw
61	4509081	Corner Crank Screw
62	4509092	Bushing
63	4509367	Pulley-Single Groove
64	J161000	Hex Nut 8-32 NC
65	4509407	Scale Bracket
66	B160602	Round Head Screw 8-32 NC x 3/8" Long
67	B190609	Phillips Round Head Screw 10-24 NC x 3/8"
68	4509452	Extension Spring
69	4509376	Scale
70	4509421	Scale Roller
71	4509508	Roller Bracket
72	4509378	Scale Window
73	R000553	Keps Nut 10-24 NC
74	4509403	Crank
75	3709457	Handle
76	B313611	Socket Cap Screw 5/16-18 NC x 2 1/4" Long
77	4509503	Crank Handle Assembly
78	J312000	Hex Jam Nut 5/16-18 NC
79	4509454	Spring Clip
80	R000553	Keps Nut 10-24 NC
81	3709417	100° Weldnut
82	4509457	Grommet
83		
84		
85	3709022	Thrust Washer
86	C372820	Slotted Set Screw 3/8-16 NC x 1 3/4"
87	3709142	Push on Retaining Ring
88		
89	R000481	1/4 Ext. Star Washer
90	J371006	Hex Nut 3/8-16 NC
91	B250617	Phillips Head Screw 1/4-20 NC x 1/2" Long
92	R000483	Lockwasher Int. Tooth #10
93	R000473	Lockwasher 1/2 Split
94	4509381	Chain Tightener
95	3309059	Decal—Rotation
96	B160813	Phillips Head Screw 8-32 NC x 1/2" Long
97	R000558	Keps Nut 8-32 NC
98	C310617	Socket Set Screw Nylok 5/16-18 NC x 3/8" Long
99	C373220	Socket Set Screw 3/8-16 NC x 2" Long
100	K500301	Lockwasher 1/2 Internal Teeth